

SHOWPLEX

Food Court



Restrooms

L1	L3	L5	L7	L9
L2	L4	L6	L8	L10

M1	M3	M5	M7	M9
M2	M4	M6	M8	M10

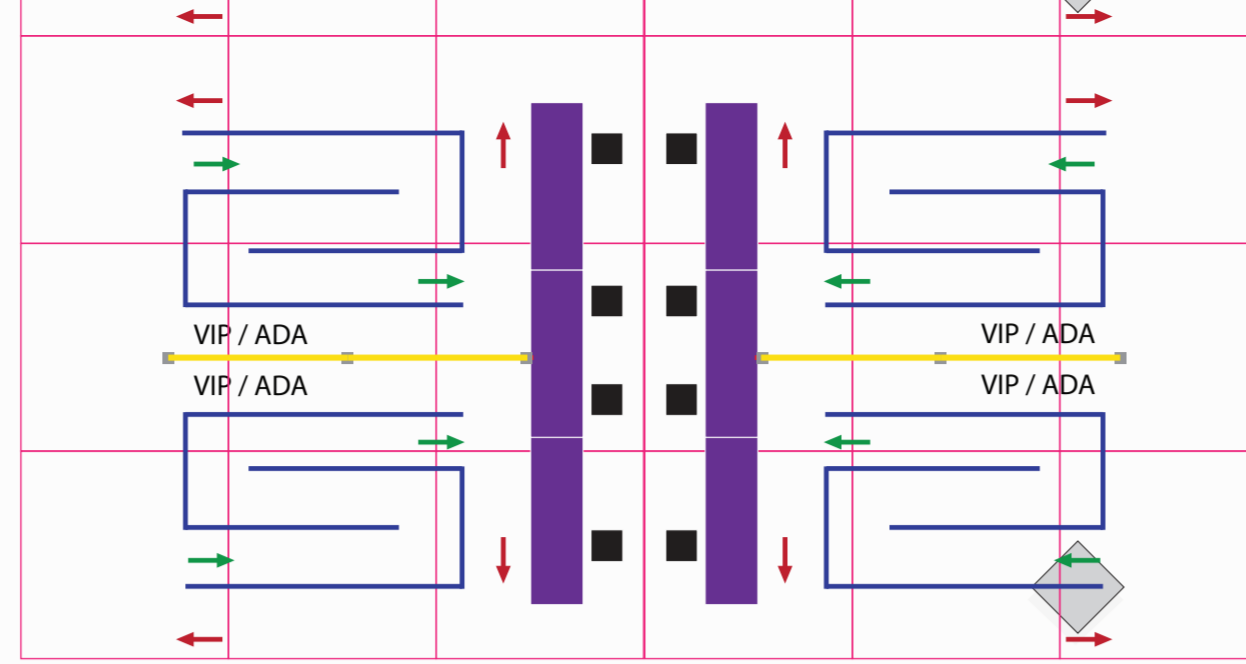
N1	N3	N5	N7	N9
N2	N4	N6	N8	N10

S1	S3	S5	S7	S9	S11
S2	S4	S6	S8	S10	S12

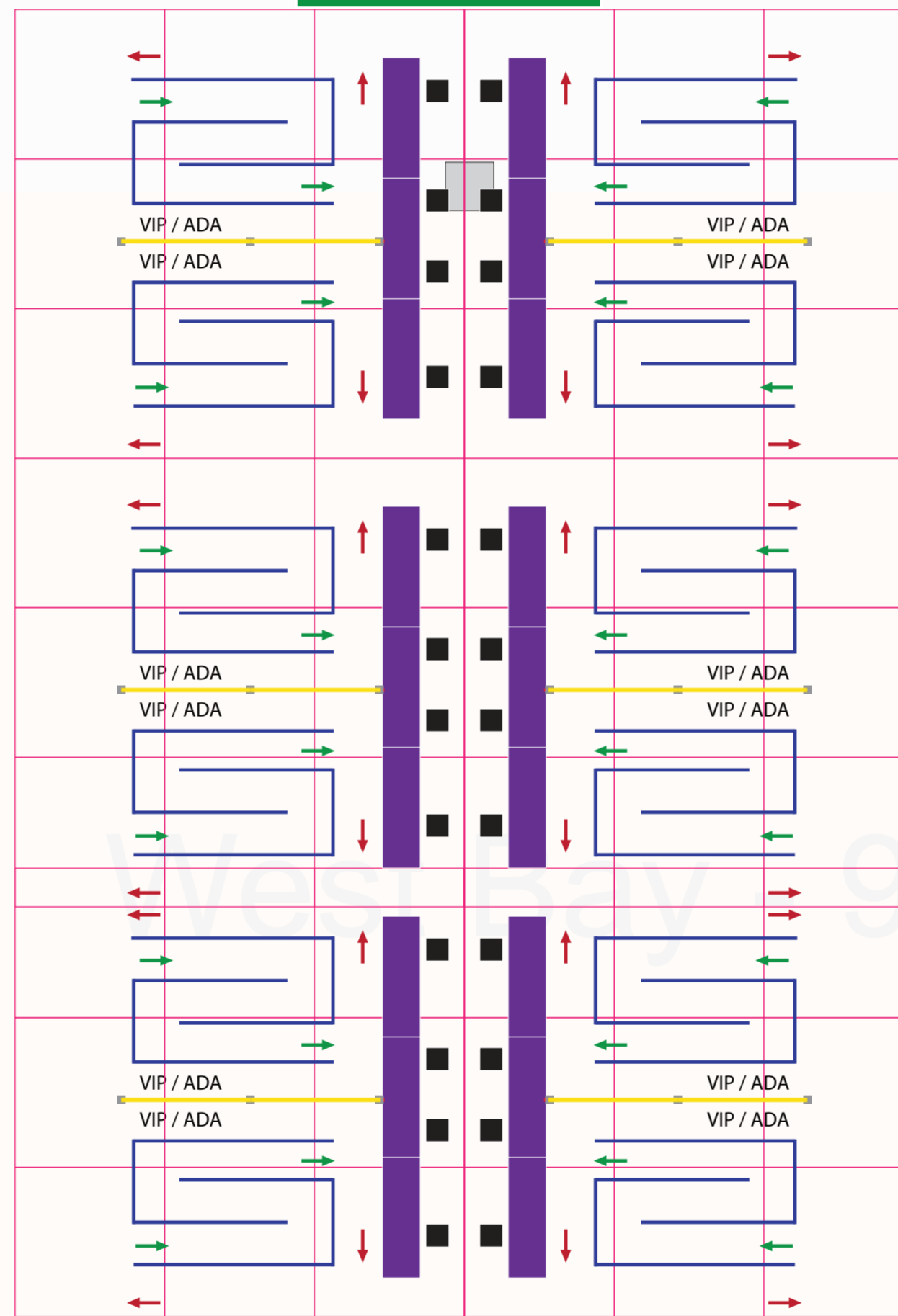
T1	T3	T5	T7	T9	T11
T2	T4	T6	T8	T10	T12

U1	U3	U5	U7	U9	U11
U2	U4	U6	U8	U10	U12

V1	V3	V5	V7	V9	V11
V2	V4	V6	V8	V10	V12



GENUINE COA



1701	1702
------	------

1703	1704
------	------

1705	1706
------	------

1801
1802

1803

1804

1805

1901
1902

1903	1904
------	------

1905	1907
1906	1908

2001	2002
------	------

2003	2005
2004	2006

2007	2009
2008	2010